



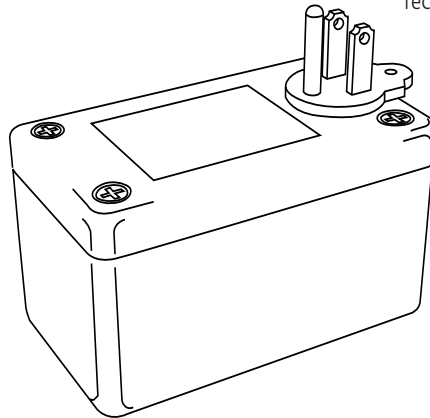
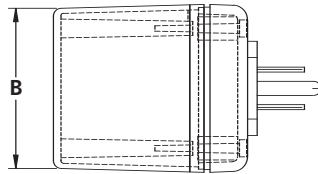
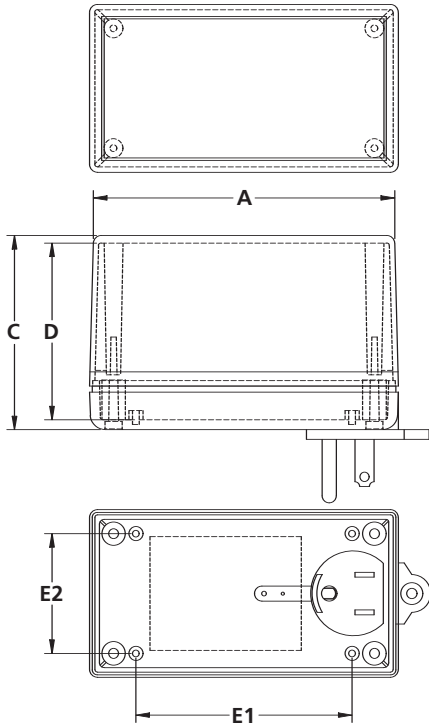
Order On Line
www.polycase.com
sales@polycase.com
800-248-1233
 Fax: 440-934-0088

PLASTIC ENCLOSURES FOR ELECTRONICS

PS Product Features

Material	Design	Additional Info
----------	--------	-----------------

- | | | |
|---|---|---|
| <ul style="list-style-type: none"> • Material: Flame retardant ABS plastic • Flame Rating: UL94V-0 • Surface: Textured finish | <ul style="list-style-type: none"> • PC Board Mounting: Base includes four PC board mounting bosses • Closure: Screw-on • Base Options: Available in three styles: desktop, 2-pole, or 3-pole (grounded) 15 AMP 120 VAC plug configurations. Optional integral hold-down tab to semi-permanently secure unit to a wall receptacle • Receptacle Holes: Molded receptacle holes are available. • DT2425 & PM2425 have an optional recessed, smooth area for printing or graphic overlays. It may be specified with 1 or 2 holes molded into the face for snap-in receptacles | <ul style="list-style-type: none"> • Color: Black, bone or gray |
|---|---|---|



	Catalog Number	Length A	Width B	Height C	Inside Depth D	PCB Bosses E1 E2	Mtg. Boss Height
Plug-In Style	PM2314T0	3.000	2.000	1.400	1.200	1.875 X 1.625	0.130
	PM2320T0	3.000	2.000	2.000	1.800	1.875 X 1.625	0.130
	PM2414T0	4.000	2.125	1.400	1.200	2.880 X 1.595	0.120
	PM2425T0	4.000	2.125	2.500	2.275	2.880 X 1.595	0.120
Desk-Top Style	DT2414T0	4.000	2.125	1.400	1.200	2.880 X 1.595	0.120
	DT2425T0	4.000	2.125	2.500	2.275	2.880 X 1.595	0.120

Dimensions are nominal and in inches

Mounting boss screws are available for purchase (4-24 x 1/4 inch thread forming screw)
 Bag of 100, \$2.50

Enclosure includes case, base and screws for enclosure assembly

WHEN ORDERING, PLEASE SPECIFY:

1. **Catalog Number** – For desktop style specify catalog number and color only
2. **Poles** – 2-pole or 3-pole
3. **Tab** – With or without hold-down tab
4. **Mounting Boss Screws** – Specify Yes or No
5. **Color** – Black, Bone or Gray